



# SUA-210HSx-xx-S236

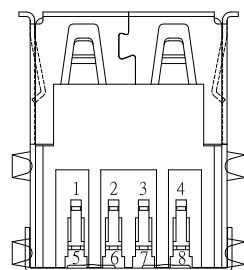
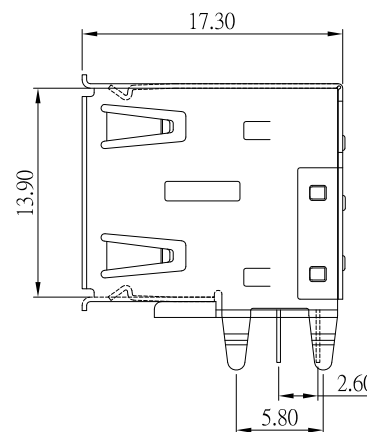
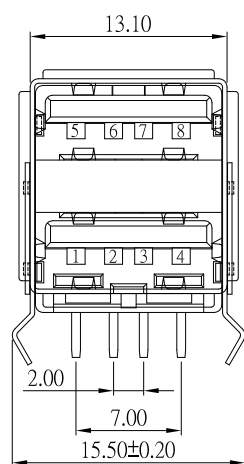
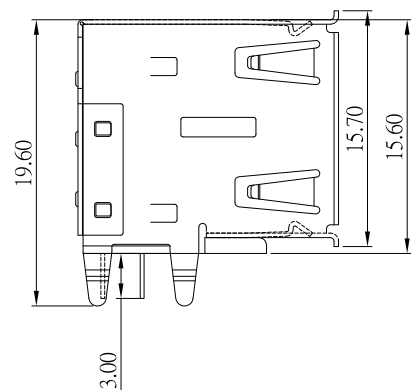
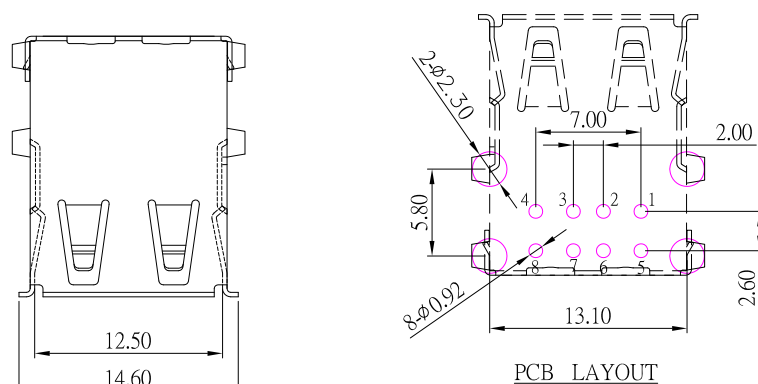
外殼材質: \_\_\_\_\_ Housing Color: \_\_\_\_\_

Blank:BRASS  
I:SPCC

Black : B  
White : W

鍍層厚度:

Blank : 1u"  
2 : 15u"  
3 : 30u"



## SPECIFICATIONS

### Electrical:

- 1.Contact Resistance: 30 mΩ Max
- 2.Insulation Resistance: 1,000 MΩ Min
- 3.Dielectric Withstanding Voltage: 500V AC

### Material:

- 1.Housing: PBT
- 2.Contact: Brass
- 3.Shell: Brass / Spcc

### Finish:

- 1.Contact: Plated Gold in Mating Area ;  
Tin Plated on Solder Balls ;  
Nickel under plated overall
- 2.Shell: Nickel under Plated surface layer

3	更新Contact材質	Jack	051122
2	新增鍍層厚度選項	Jack	041520
1	新增PIN編號	Jack	051619
ITEM NO.	DESCRIPTION	DRAWN	DATE

東莞市高迪電子有限公司  
DONG GUAN GAO DI ELECTRONICS CO., LTD

TOLERANCE UNLESS OTHERWISE STATED:  
Up to 5 ±0.2  
Above 5 ~ 15 ±0.3  
Above 15 ~ 30 ±0.4  
Above 30 ~ 50 ±0.5  
Angle ±0.3°

3RD. ANGEL'S



UNITS MM

DRAWN BY:	DATE
Jack Lu	05/11/22
CHECKED BY:	DATE
Jacky Chen	05/11/22
APPROVED BY:	DATE
Tony Kao	05/11/22

MAT'L		TITLE	CONNECTOR
FINISH		MODLE	USB A/F 雙層半包外殼平彈
SCALE	1 : 1	DWG NO.	SUA-210HSx-xx-S236
SHEET NO.	1 of 1	PART NO.	SUA-210HSx-xx-S236
		SIZE	A4
		VER	R3